

J.C. Gury

Signs & Decals

QUALITY SCREENPRINTED PRODUCTS SINCE 1949



CUSTOM PRINTING

Security Signs • Window Decals

Reflective Signs and Decals • Vehicle and Fleet Markings

Magnetic Signs and Decals

530 East Jamie Avenue • La Habra, Ca 90631

Customer Service Order Desk (800) 903-3385 • Fax (800) 556-5576 • Local (714) 738-6650

Visit Our Website @ www.jcgury.com E-mail Us: sales@jcgury.com

CUSTOM SECURITY SIGNS

WE MANUFACTURE A VARIETY OF CUSTOM SIGNS FOR THE SECURITY DEALER.



Shield

9 7/8" X 8 1/2"



Badge

9 3/4" x 10 3/8"



Octagon

8" • 9 3/4" • 10 1/4"
11" • 12"



Circle

8" • 10" • 12"



Elongated Octagon

8 1/2" x 12 3/4"

We offer our Signs in the above stock die cut shapes and sizes. Your sign can also be manufactured in any size square or rectangle. If you want a custom shape, there will be a one-time die charge.

MYLAR LAMINATED ALUMINUM SIGNS

Our standard industry leading sign printed with high quality durable inks and laminated with a high-gloss clear mylar for a scratch proof sign.

Available thicknesses: .020 standard, .024, .040.

TUF-COTE ALUMINUM SIGNS

Tuf-Cote aluminum signs provide maximum outdoor durability. Typically, the *Tuf-Cote* lamination can prevent fading for up to 5 years under outdoor exposure.

PLASTIC STYRENE

The outdoor life of these signs depends on the environment where they are placed. Normally a 2-year life can be expected. To eliminate yellowing on white backgrounds, you can add a solid white undercoat for the cost of 1 additional color. A clear U.V. coat is also available to lengthen the outdoor life of plastic signs for an additional cost.

REFLECTIVE ALUMINUM SIGNS

Our reflective aluminum signs are screen printed with high quality inks for maximum visibility and outdoor durability. Reflective signs can be laminated with mylar or *Tuf-Cote* for added durability and protection for an additional cost.

Available thicknesses: .020 standard, .024, .040.



CCTV & VIDEO SURVEILLANCE SIGNS



CCTV and video surveillance signs are designed for installations that require high visibility in an enclosed secure area like communication enclosures, truck depots, RV lots, airports and municipal areas. We can print your name or any custom information you may need. Our signs can be produced in any size up to 24" x 30". Materials available are .020, .024, .040 aluminum and .060 styrene plastic. Aluminum is available in reflective. They are screen printed with the same quality inks as our security signs.

CUSTOM SECURITY DECALS

WE PRODUCE A VARIETY OF CUSTOM DECALS FOR THE VARIOUS APPLICATIONS OF THE SECURITY DEALER.



Shield
4 1/8" x 3 5/8"
3" x 2 1/2"
16" X 14"



Badge
3" x 2 13/16"
4" x 3 3/4"
16" X 15 1/4"



Octagon
2" • 3" • 3 1/2"
4" • 5" • 6"
16"



Circle
2" • 3" • 4" • 5" • 6"
16"



Elongated Octagon
2 1/2" x 3 3/4"
3 1/4" x 4 7/8"

We offer our Decals in the above stock die cut shapes and sizes. Your decal can also be manufactured in any size square or rectangle. If you want a custom shape, there will be a one-time die charge.

OUTSIDE WINDOW DECALS

Outside Decals are designed to be applied to the OUTSIDE of a window. Outside decals are also available in the following materials and colors: Chrome Silver, Matte Silver, Yellow Vinyl, Brushed Silver, Removable White & Clear or High Tack White & Clear.

INSIDE WINDOW DECAL

Inside Decals are designed to be applied to the INTERIOR of a window and are visible from the outside.

TWO-WAY WINDOW DECALS

Two-Way decals are the most versatile decals, and they will maximize your visibility. A Two-Way decal is printed on both sides. Two-Way decals are designed to be applied to the inside of a window, outside of a window or on outside doors. All Two-Way decals are laminated.

REFLECTIVE DECALS

Reflective decals may be applied to any outdoor or indoor surface. Mylar or Tuf-Cote lamination will provide increased durability for an additional cost.

LAMINATION

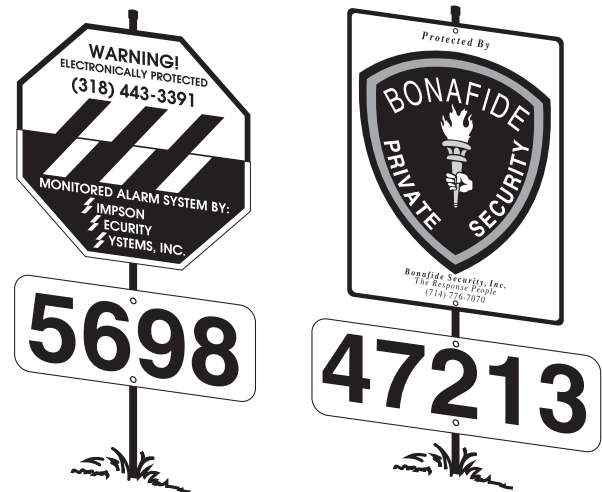
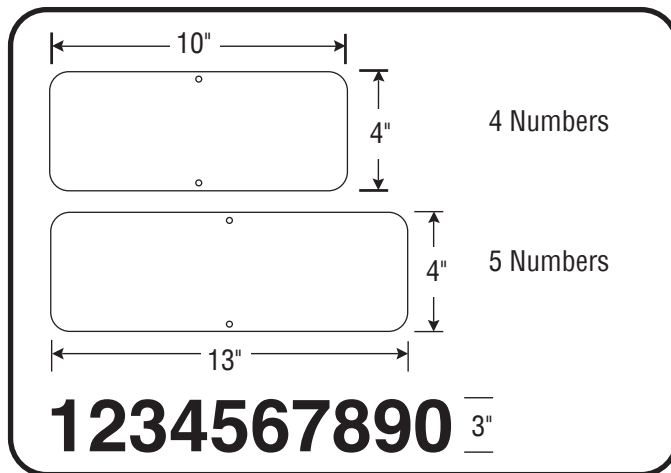
MYLAR lamination is our standard lamination. The purpose is to protect the surface from abrasion and window washing chemicals.
TUF-COTE lamination has a U.V. block that adds more durability to the surface protection of your decal.
TWO-WAY decals are automatically laminated with mylar. We offer TUF-COTE with an added cost.

TO REQUEST CURRENT PRICING YOU CAN CALL, FAX OR E-MAIL US.

ADDRESS PLATES & NUMBERS

Aluminum address plates can be made non-reflective or reflective. Plastic only comes non-reflective. All plates come with two 3/16" diameter mounting holes centered top and bottom with a 1/4" rounded corner.

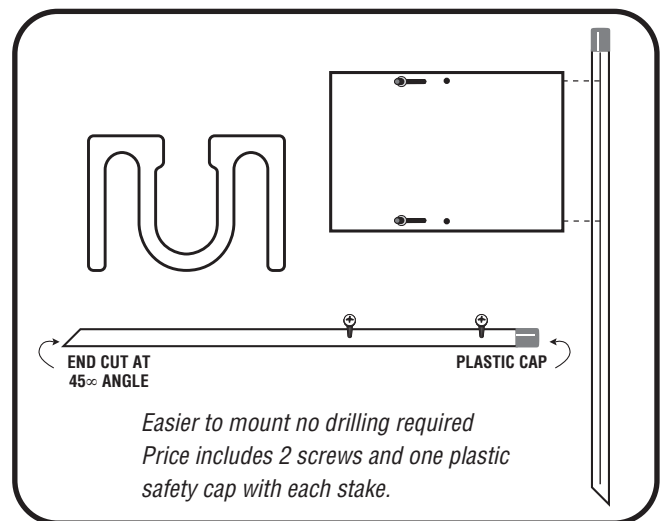
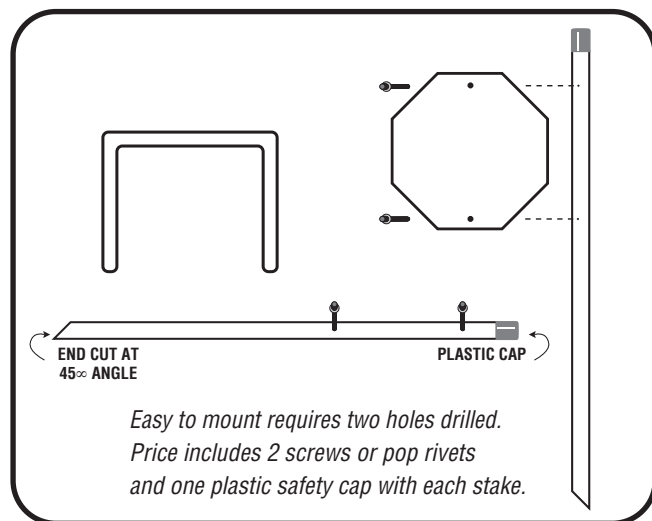
Our 3" die cut numbers are kiss cut and premaked with application tape for quick, accurate placement of the numbers. They are available in black, white or white reflective.



ALUMINUM YARD SIGN STAKES

STANDARD - Mill finish or black

HEAVY DUTY-NO HOLES REQUIRED - Mill finish or black

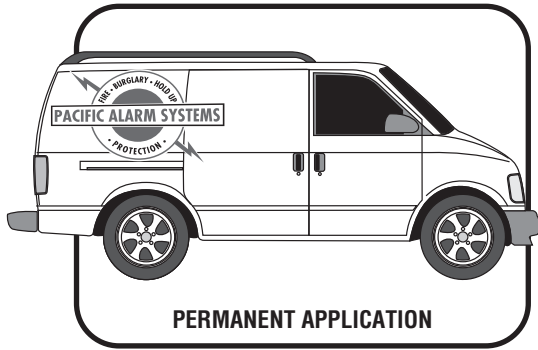


STANDARD: Extruded aluminum mill finish or black u-channel.

HEAVY DUTY: Extruded aluminum mill finish u-channel eliminates the need to drill holes and adds to the overall rigidity.

- Stakes come in 2 ft., 2 1/2 ft. and 3 ft. Lengths. Each stake is supplied with two-1/2" philips head stainless steel sheet metal screws **and** one gray plastic safety cap per stake. Signs can be mounted for an additional cost.

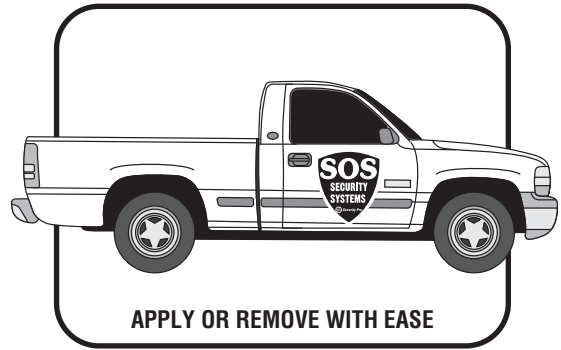
VEHICLE SIGNAGE



PERMANENT APPLICATION

VEHICLE DECALS

Our vehicle decals have the same outdoor durability as our other screenprinted products.



APPLY OR REMOVE WITH EASE

Magnetics should be removed every two months and cleaned.

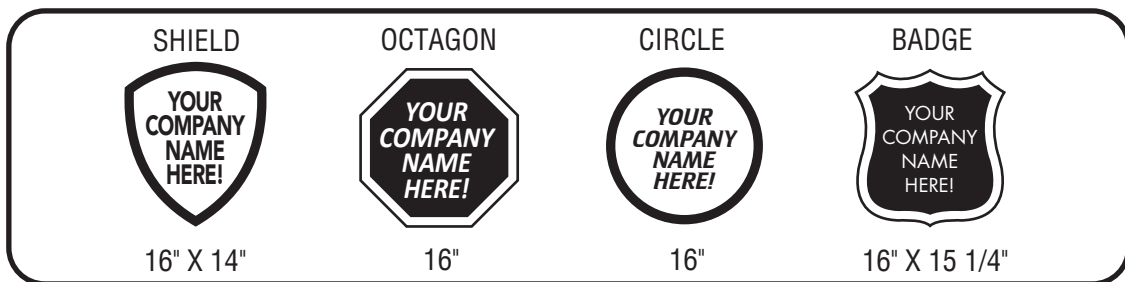
MAGNETIC VEHICLE SIGNS

Our magnetic signs are made with top grade .030 solid magnetic material. They are screen printed using the same high quality outdoor inks as our other products. Maintenance instructions are included to insure longevity of your signs.

OUR VEHICLE DECALS AND MAGNETICS ARE OFFERED IN STANDARD SIZES OF:

10" X 16", 12" X 18", 18" X 24", 18" X 30", up to 24" X 30"

We also offer four 16" die-cut shapes that match our stock sign and decal shapes.

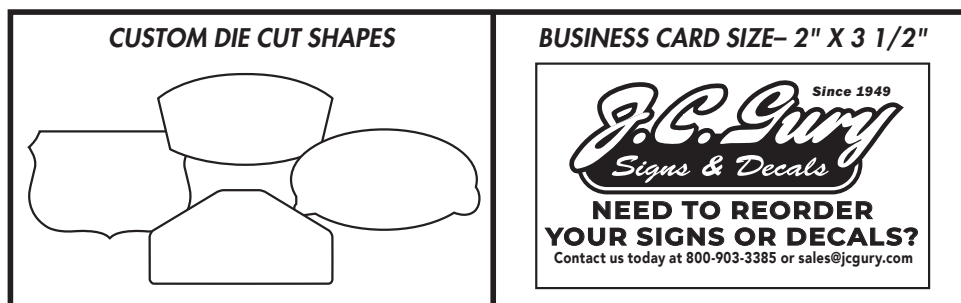


Clear lamination is available to increase outdoor durability and provide protection from car wash detergents.

CUSTOM MINI MAGNETS

AN EXCELLENT MARKETING TOOL – ADHERES TO ANY STEEL SURFACE

A great give-away product - Update phone numbers - Mail them with your customer invoice



ORDERING INFORMATION

COLORS

We offer a selection of 25 standard opaque colors. We can match any color sample or PMS number besides our 25 standard colors. EXACT COLOR MATCH CANNOT BE GUARANTEED, including PMS colors. Metallic gold or silver inks printed on decals require lamination, and on plastic signs require a clear coat. We do not match colors to computer screen colors, only to physical color samples.

DIE CUT SHAPES

A variety of stock shapes are available for various products listed. Custom shapes require a one-time die charge. Contact us for a quote. Prices vary based on complexity and size of the custom shape.

BORDERS The minimum width for a border is 3/16" to the edge for decals and 1/4" for signs.

ART PREPARATION

Art is charged at \$60.00 per hour with 1 hour being our minimum. You can supply a rough sketch or drawing, or send computer generated art. We are Mac based, however we can accept PC files in specific formats.

COMPUTER GENERATED ARTWORK Providing a vectorized version of your logo or art can avoid an art charge. Allow 1-2 working days for your proof. When your proof is approved allow 15 to 20 working days for production

FILM CHARGE There will be a one-time charge per item on new or revised art, whether our art department designs the art or is designed by the customer.

DELIVERY

OVER RUNS OR UNDER RUNS of 5%-10% are the industry standard. High quantity printing typically yields a total number of units that is slightly higher (over run) or lower (under run) than ordered. SOME OVER RUN OR UNDER RUN SHOULD BE EXPECTED WITH EVERY ORDER. The total price charged will reflect the total number of units delivered.

COPY CHANGES – If you require a different phone number or name, etc. on your signs or decals, you may combine the two or three together for a quantity price.

PAYMENT TERMS

Credit Card - J.C. Gury accepts Visa, Mastercard, American Express and Discover. **THE CARD IS CHARGED AT THE TIME THE ORDER IS PLACED.** Any adjustments to quantity or freight costs will be adjusted at the time of shipment and charged or refunded to your credit card.

Check - We accept company or personal checks. You can obtain the order total from your customer service representative, which includes estimated freight and over-runs.

We do not accept C.O.D.

CANCELLATION

Cancellation of an order for any reason, will result in a MINIMUM CHARGE OF \$50.00. The actual cancellation fee will be based on how far into production the order is.



SECURITY PRODUCTS ORDER FORM

Fax or Mail to:



530 E. Jamie Ave. • La Habra, CA 90631
(800) 903-3385 • FAX (800)556-5576 • sales@jcgury.com

ALL PRODUCTS ARE PRICED BY SQUARE INCHES (HEIGHT X WIDTH),
NUMBER OF COLORS AND QUANTITY ORDERED.

BILL TO:
COMPANY: _____
STREET: _____
CITY: _____ STATE: _____ ZIP: _____
PHONE: _____ FAX: _____
E-MAIL: _____
ORDERED BY: _____

SHIP TO: (if same as billing write same)
COMPANY: _____
STREET: _____
CITY: _____ STATE: _____ ZIP: _____

- **OVER AND UNDERRUNS OF 5%-10% OR LESS SHALL CONSTITUTE AN ACCEPTABLE DELIVERY.**
- **SHIPPING COST IS NOT INCLUDED.**

Purchasing agent or Buyer (signature required) Any cost incurred for collection will be paid by purchaser

TERMS: ALL ORDERS REQUIRE PRE-PAYMENT IN FULL WHEN ORDER IS PLACED.



Card Number _____ Exp. Date _____ Security Code _____
Authorized Signature _____ Print Name _____

1	SIGNS	<input type="checkbox"/> Mylar Laminated Aluminum <input type="checkbox"/> Tuf-Cote Aluminum <input type="checkbox"/> Reflective Aluminum <input type="checkbox"/> Lamination _____ <input type="checkbox"/> .020 <input type="checkbox"/> .024 <input type="checkbox"/> .040 <input type="checkbox"/> .060 Plastic Signs	Square/Rectangle Size: _____ X _____ Rd. Corner _____ size <input type="checkbox"/> Holes <input type="checkbox"/> No Holes _____ location	Stock Die Cut Shapes: <input type="checkbox"/> Badge <input type="checkbox"/> Circle: size: _____ <input type="checkbox"/> Shield <input type="checkbox"/> Octagon: size: _____ <input type="checkbox"/> Elong. Octagon <input type="checkbox"/> Custom Shape	Colors: Background _____ Copy/Letters _____	Quantity _____	Price Each _____	Total _____ Film Charge _____
	DECALS	<input type="checkbox"/> Outside Decals <input type="checkbox"/> Inside Decals <input type="checkbox"/> Two-way Decals <input type="checkbox"/> Reflective Decals <input type="checkbox"/> Removable Vinyl Decals	Square/Rectangle Size: _____ X _____ _____ X _____ <input type="checkbox"/> Rd. Corner _____ size <input type="checkbox"/> Square Corners	Stock Die Cut Shapes: <input type="checkbox"/> Badge: size: _____ <input type="checkbox"/> Circle: size: _____ <input type="checkbox"/> Shield: size: _____ <input type="checkbox"/> Octagon: size: _____ <input type="checkbox"/> Elong. Octagon <input type="checkbox"/> Custom Shape	Colors: Background _____ Copy/Letters _____	Quantity _____ Lamination (optional) <input type="checkbox"/> Tuf-Cote <input type="checkbox"/> Mylar	Price Each _____	Total _____ Film Charge _____
3	STAKES	<input type="checkbox"/> Standard <input type="checkbox"/> Heavy Duty <input type="checkbox"/> Black Standard <input type="checkbox"/> Black Heavy Duty	Length _____ <input type="checkbox"/> Mounted Qty. _____ <input type="checkbox"/> Holes Drilled Qty. _____ <input type="checkbox"/> Screws <input type="checkbox"/> Caps <input type="checkbox"/> Rivets	Price Each _____ _____ _____	Total _____ _____ _____			
	ADDITIONAL ITEMS							
4								

By choosing *J.C. Gury*
as your print graphics supplier,
you will benefit from over
70 years of experience and
expertise in the industry.
We have set the standard high
for our quality commitment,
by providing service,
products and value.

J.C. Gury Company Inc

QUALITY SCREENPRINTED PRODUCTS SINCE 1949

530 East Jamie Avenue • La Habra, Ca 90631
Customer Service Order Desk (800) 903-3385 • Fax (800) 556-5576 • Local (714) 738-6650
Visit Our Website @ www.jcgury.com E-mail Us: sales@jcgury.com

© 2021